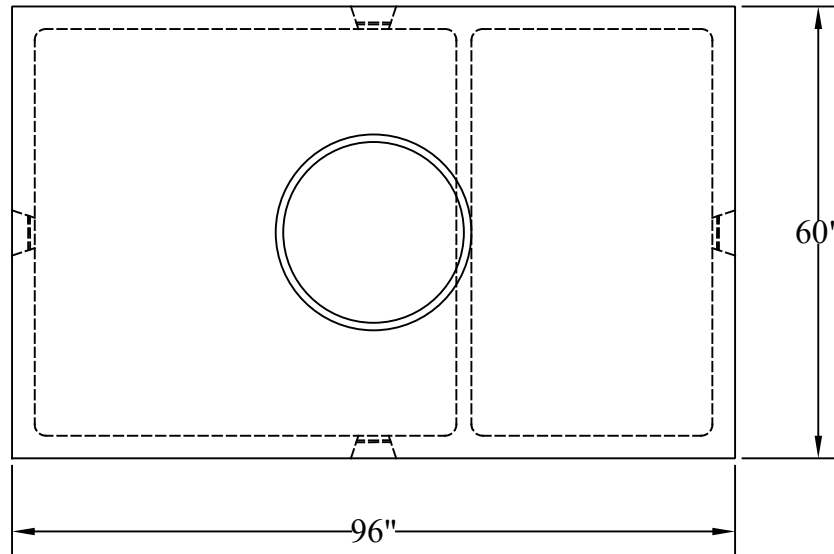


# 600 Gal. (2700 L) Pumping Chamber

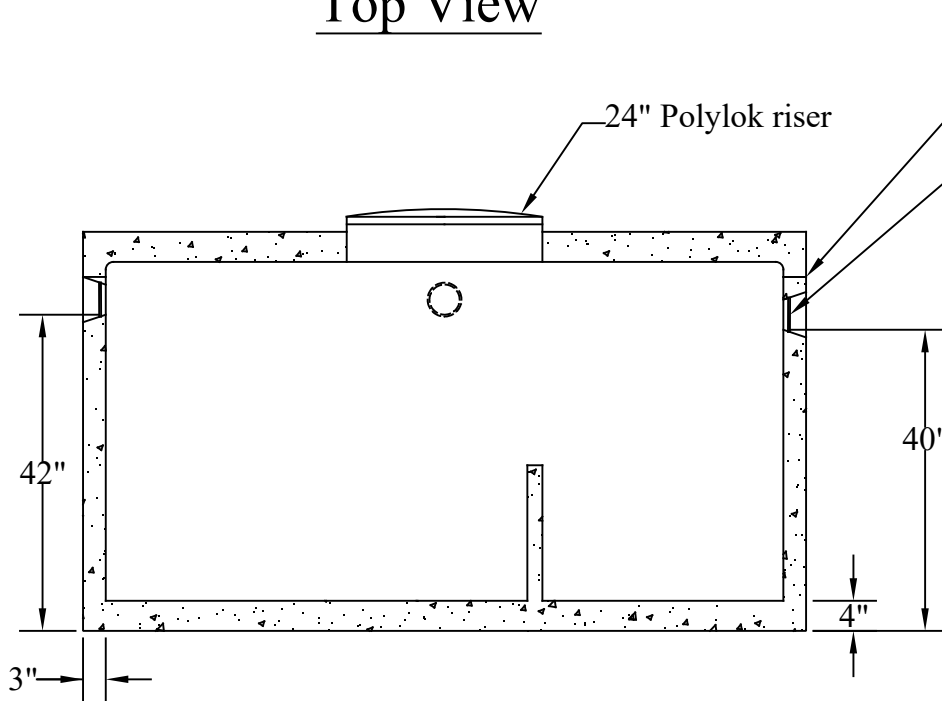
## Notes:

1. Concrete: 35 mpa Air 5-7%
2. Weight: 9,000 lbs. (4000 kgs.)
3. 17 Gals. per Inch (30L/cm)
4. Maximum cover: 5 ft. (1.5 m)
5. Custom openings or risers can be "cast-in" upon request.

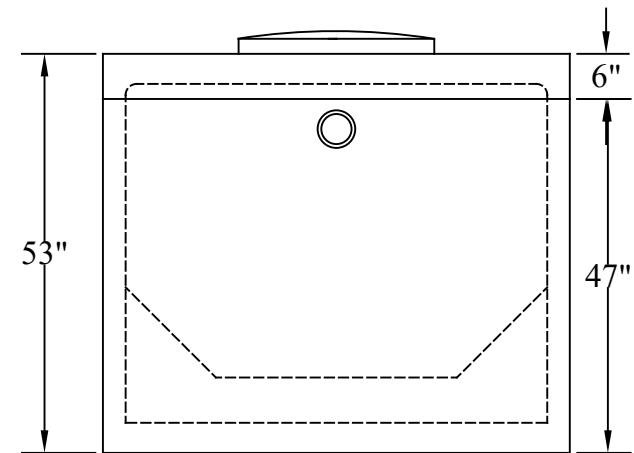
Acton Precast Concrete Limited  
Acton Ont. 1-800-461-1516



Top View



Section



End View