

# 7' x 7' Ashler Shed

Acton Precast Concrete Limited

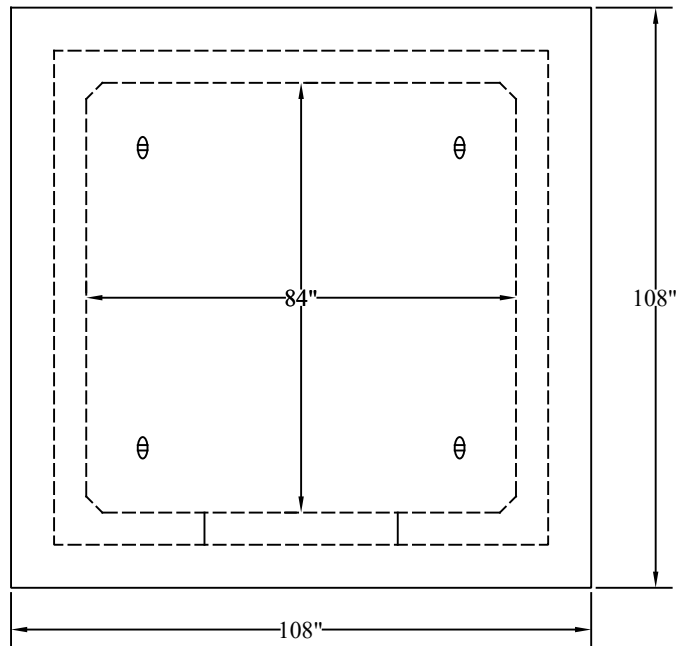
## Notes:

1. Concrete: 45 mpa air 5-7%
2. Reinforcing: 10m @ 12" c/c bw
3. Weight of bottom section: 6727 kgs.
4. Weight of top section: 2400 kgs.
5. Units can be delivered and placed by Acton Precast on prepared granular base.

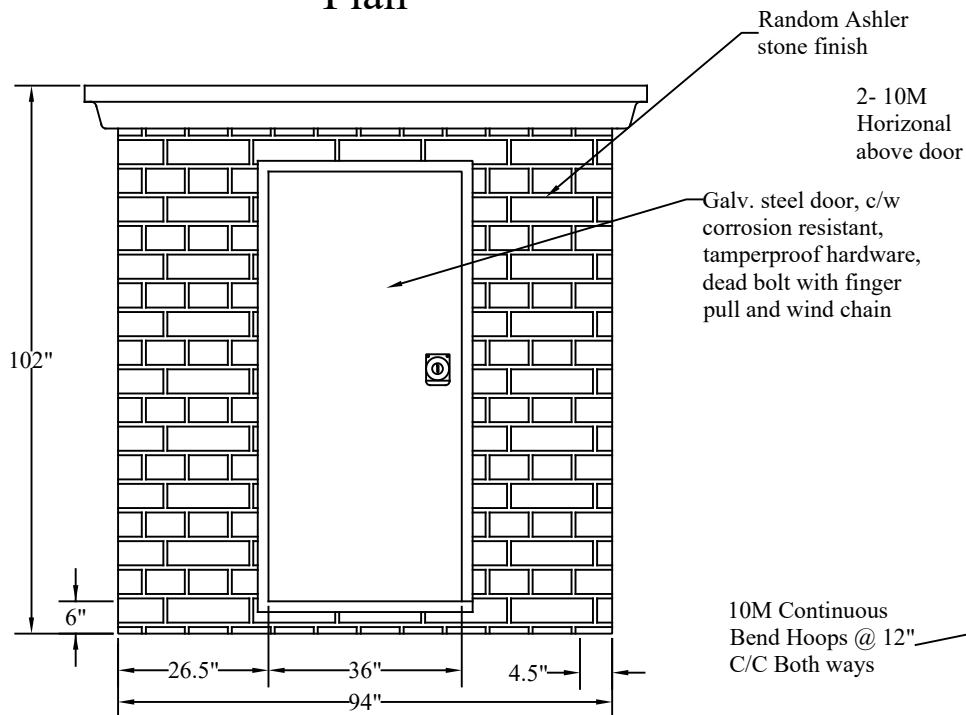
## Design Loads:

Snow Load=3.5 kPa

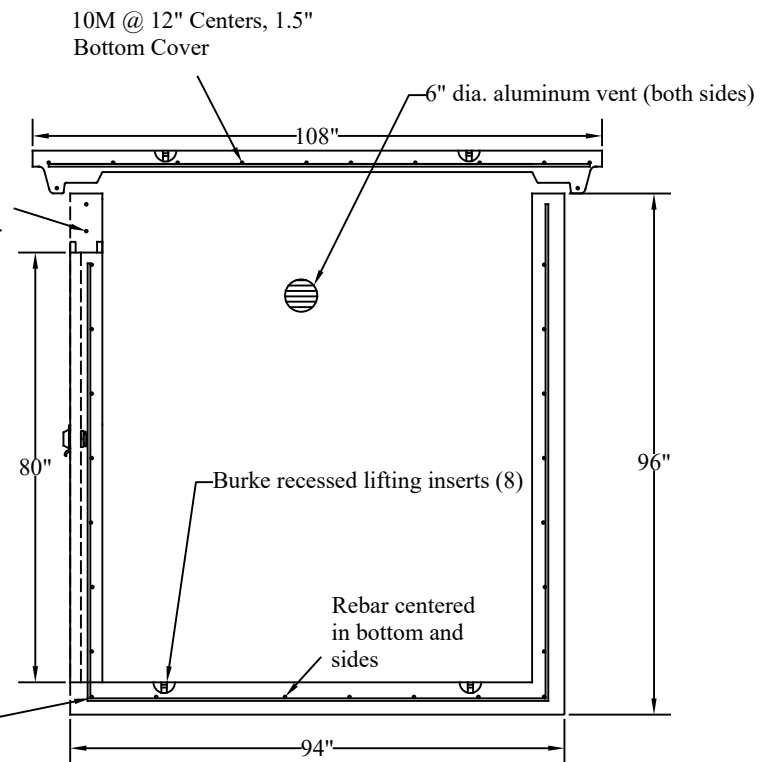
Dead Load=Self Weight Concrete (23.5kN/m3)



Plan



Front



Section