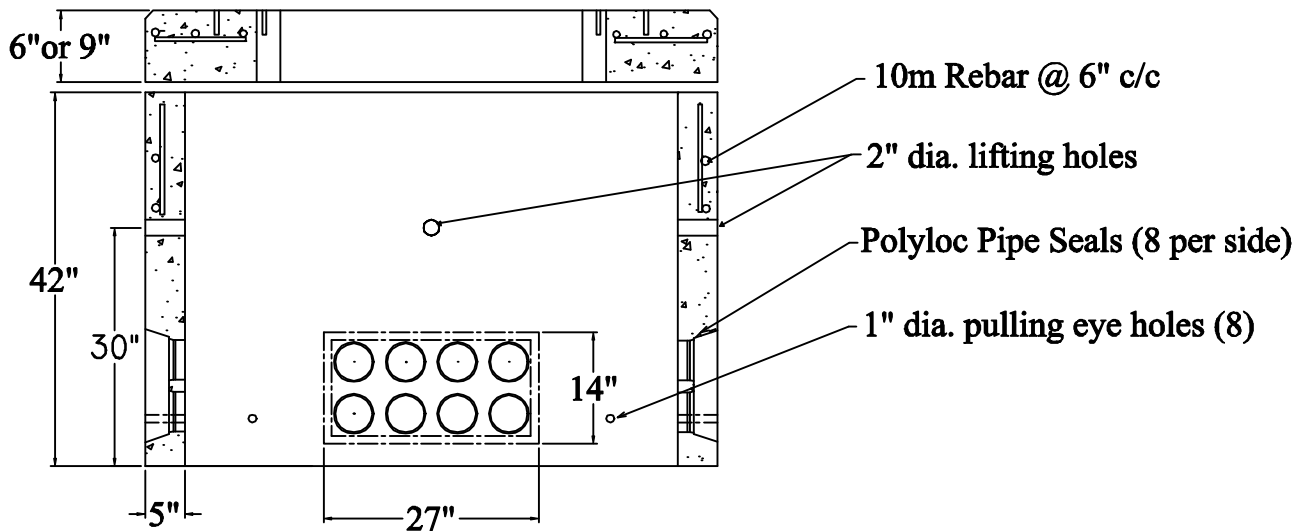


Plan View



Section A-A

Notes:

1. Concrete 32 Mpa min. Air 5-7%
2. Approx. weight 4000 kg.
3. Unit can be set in place by Acton Precast truck if site is ready at time of delivery.

LPC 80 - 2 pc.
3 Phase Transformer Base

Acton Precast Concrete Limited