

Plan View

Notes:

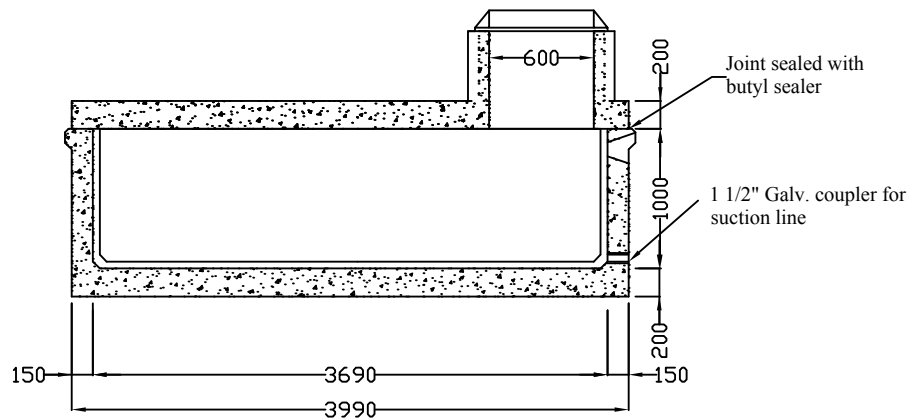
1. Concrete 35 mpa - Air 6-7%
 2. Unit reinforced for H-20 loading.
 3. Openings in top can be moved or resized.
 4. Joint between bottom and top sealed with butyl sealant. (supplied)
 5. Weight of unit - 16,000 kg.
 6. Unit will be set by Acton Precast truck provided site conditions allow.
 7. Capacity 2000 Imp. Gal. (9100L)
- * all dim. in mm. *

Acton Precast Concrete Limited

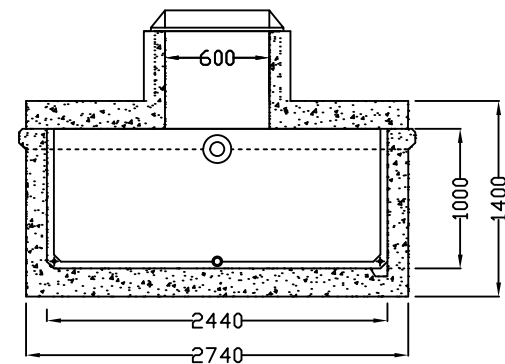
tel 1-800-461-1516

fax 519-853-1324

2000 Gal H/D Holding



Section A-A



Section B-B