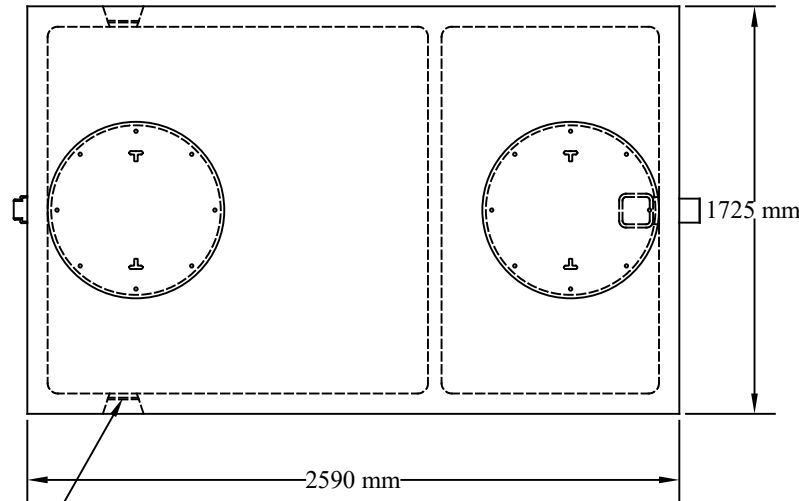


1200 Gal. (5400 L) Septic Tank

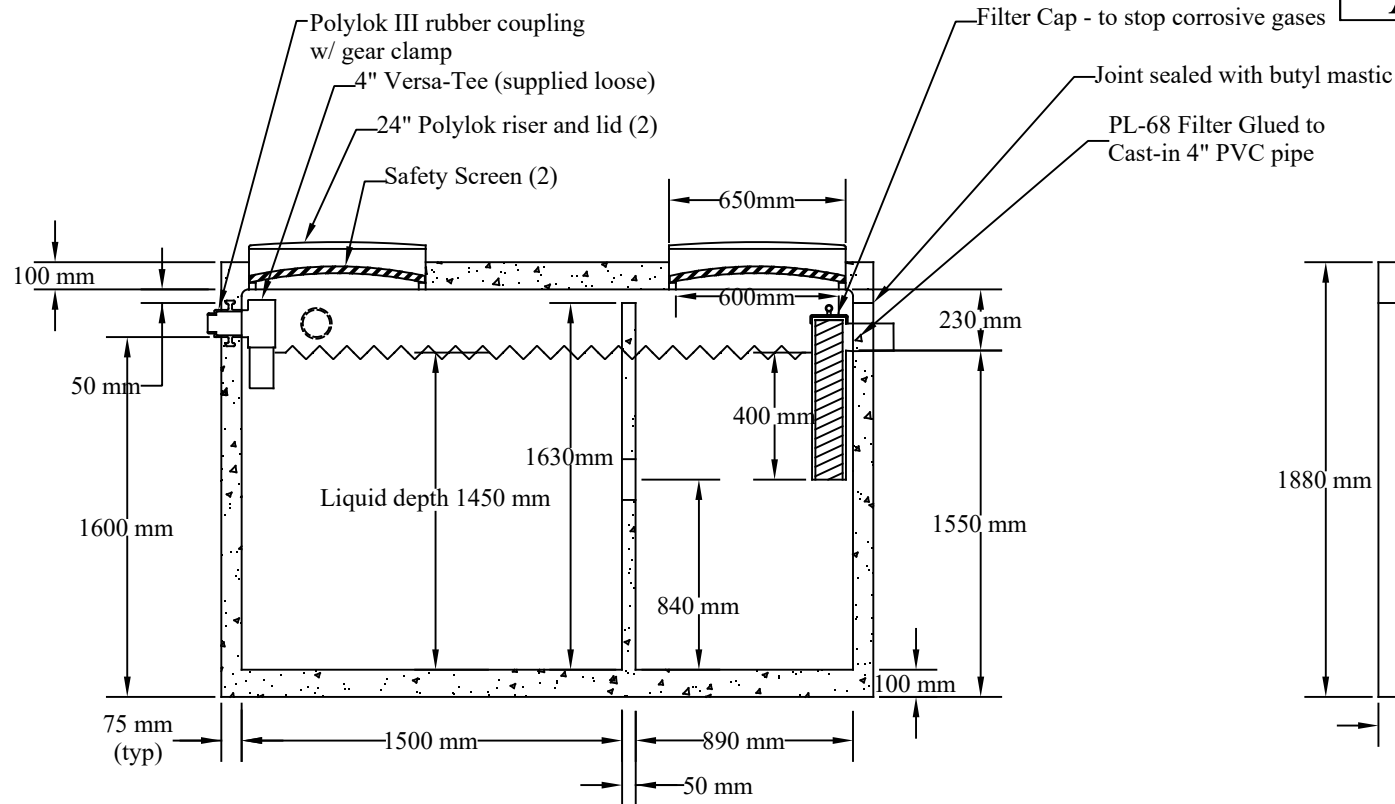
- Notes:**
1. Concrete: 35 mpa Air 5-7%
 2. Weight: 5075 kgs.
 3. Divider wall is monolithic cast.
 4. Maximum cover: 1.5 m
 5. Actual working capacity 5490 l
 6. Litre per vert. metre = 3850
 7. For use in non-sulfate soils only.
 8. Tank is lifted using external rigging
- Drawing Date: April 1, 2022

Acton Precast Concrete Limited
Acton Ont. 1-800-461-1516

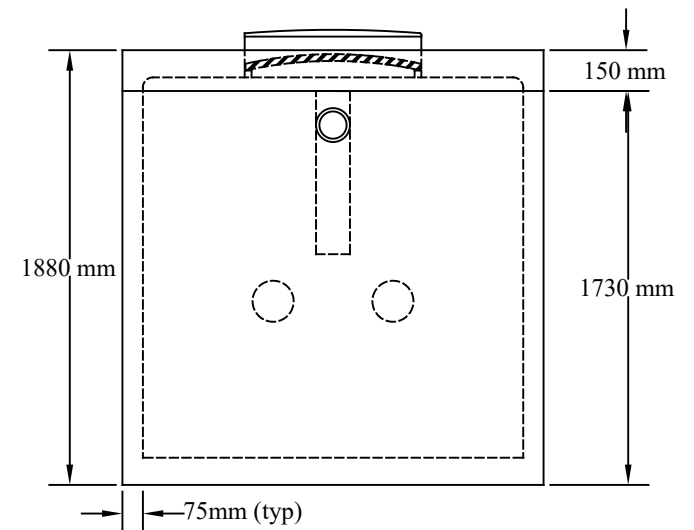


Alternate inlets (2)

Top View



Section



End View