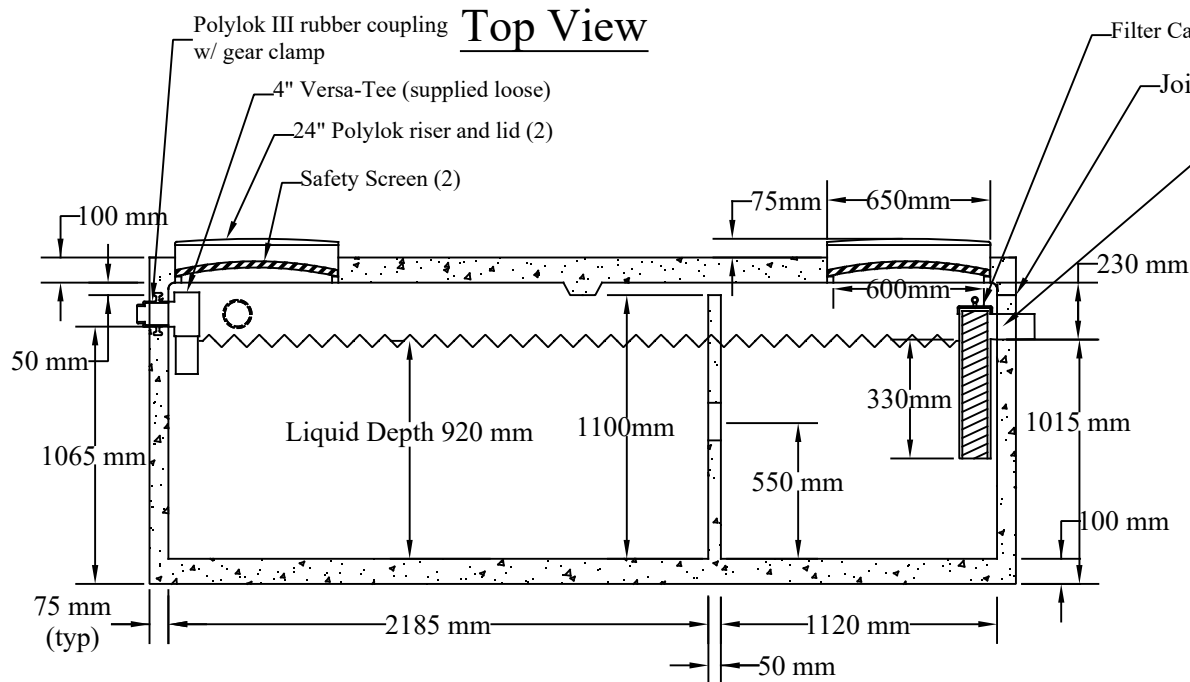
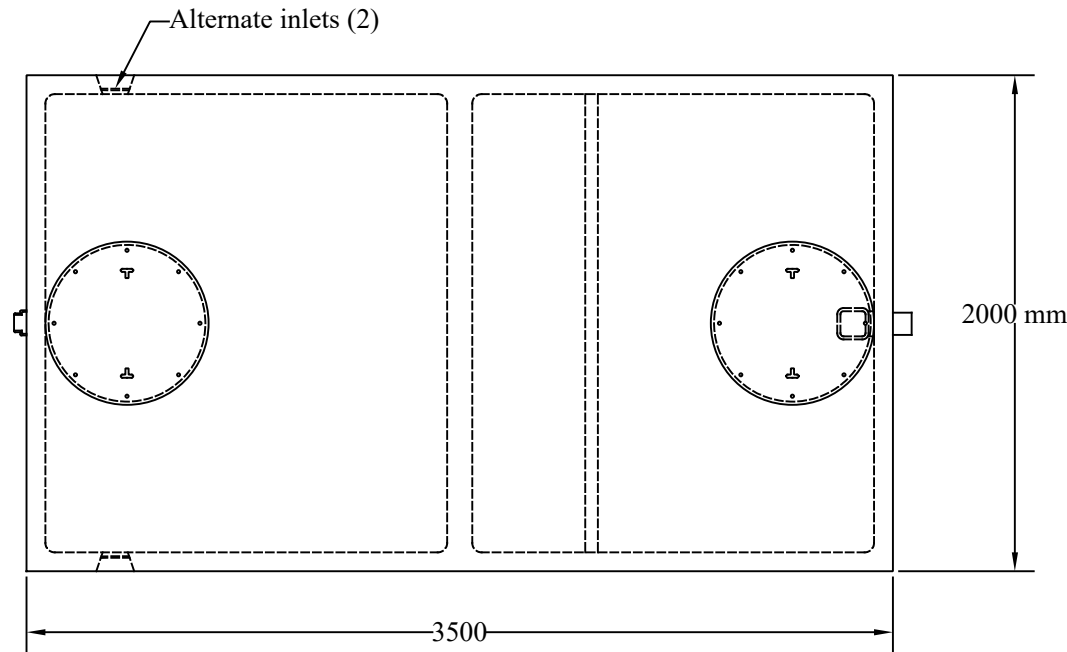


1200 Gal. (5400 L) Low Profile Septic Tank

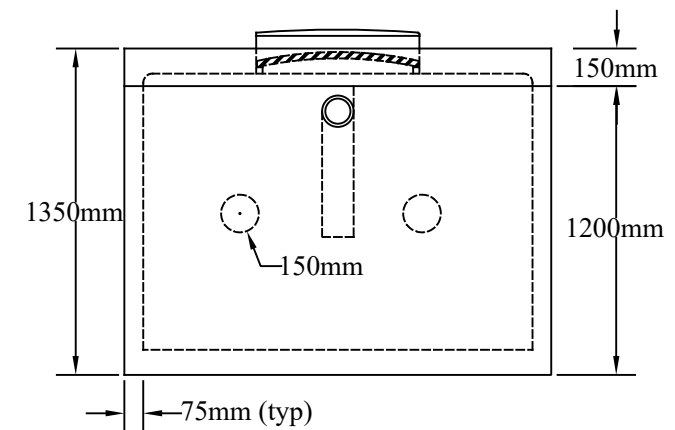
Notes:

1. Concrete: 35 mpa Air 5-7%
 2. Weight: 5970 kgs.
 3. Divider wall is monolithic cast.
 4. Maximum cover: 1.5 m
 5. Actual working capacity 5640 l
 6. Litres per vert metre 6260 l
 7. For use in non-sufate soils only.
 8. Tank is lifted using external rigging.
- Drawing Date: April 1, 2022

Acton Precast Concrete Limited
Acton Ont. 1-800-461-1516



Section



End View