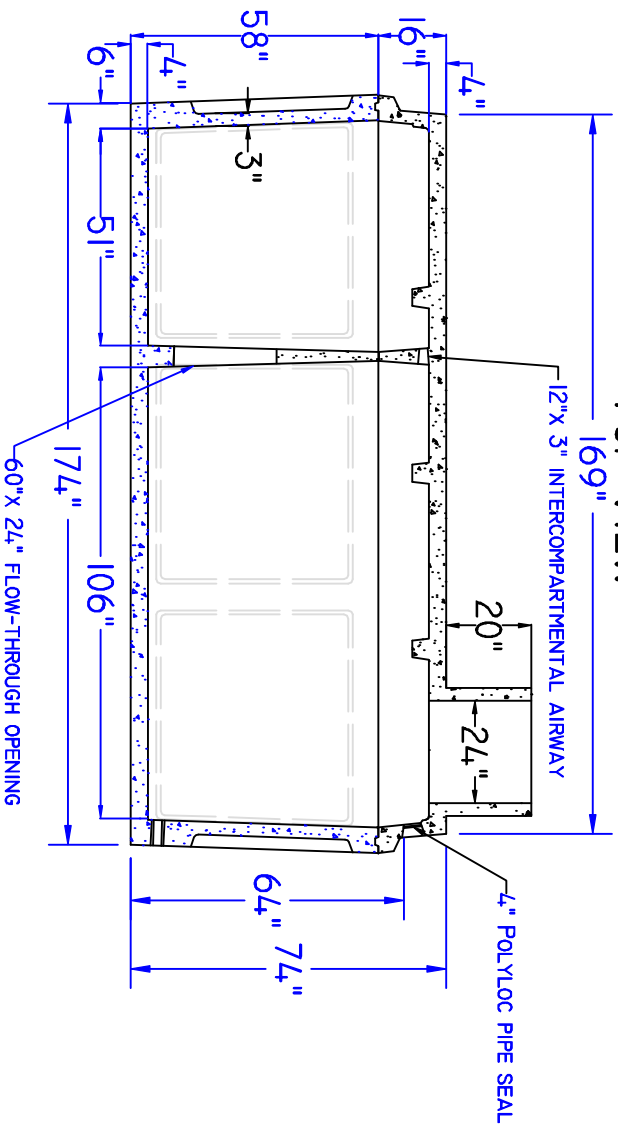


TOP VIEW



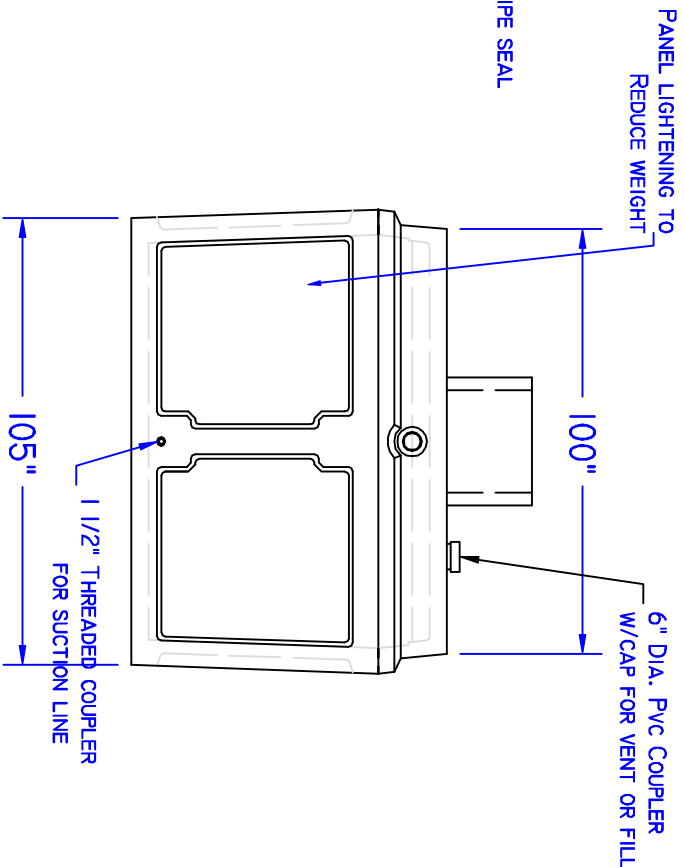
SECTION A-A

3500 Gal.(16000L) Holding Tank

Notes:

1. Concrete - 32mpa, Air 5-7%
2. Rebar - 10m @ 12" c/c in floor and top. 15m @ 4" c/c in columns and beams.
3. Place on 8" of sand.
4. Approx. weight - 15,700 kgs.

Acton Precast Concrete Ltd
RR 2 Acton 1-800-461-1516



END VIEW