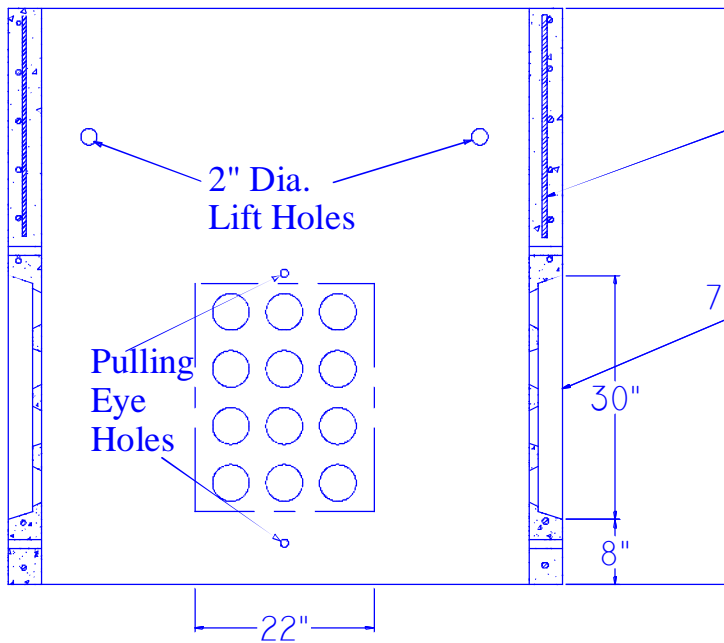
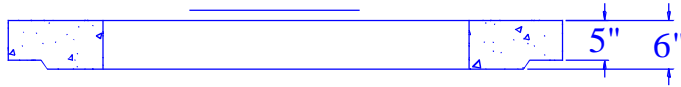


Plan View



Section A-A

10m Rebar @ 6" c/c  
both ways

Duct bank opening -  
72"  
12 PVC Duct terminators  
(each side)

2" Dia.  
Lift Holes

Pulling  
Eye  
Holes

22"

30"

8"

- Notes: 1. Concrete 32 Mpa. Air 5-7%  
2. Approx. weight 7200 lbs.  
3. Unit can be set in place if site  
Is ready at time of delivery.

**U.D. VAULT W/ Kabar Top**

**Acton Precast Concrete Limited**

RR 2 Acton 1-800-461-1516 Fax (519) 853-1324