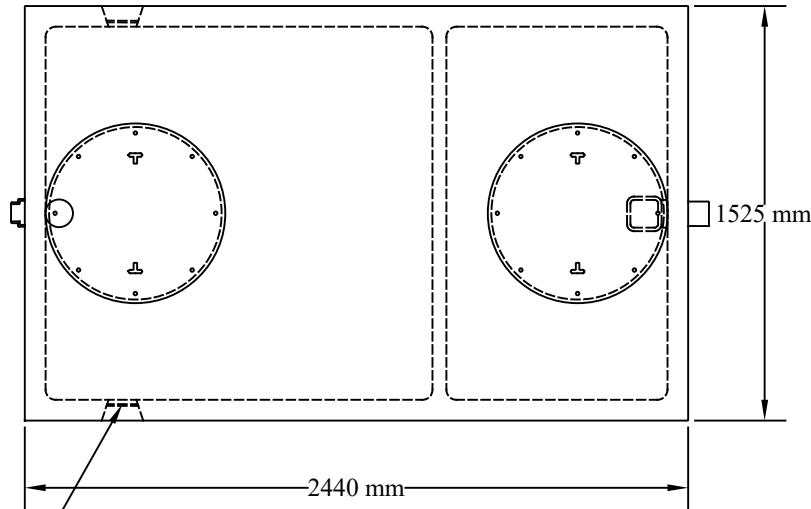


# 800 Gal. (3600 L) Septic Tank

## Notes:

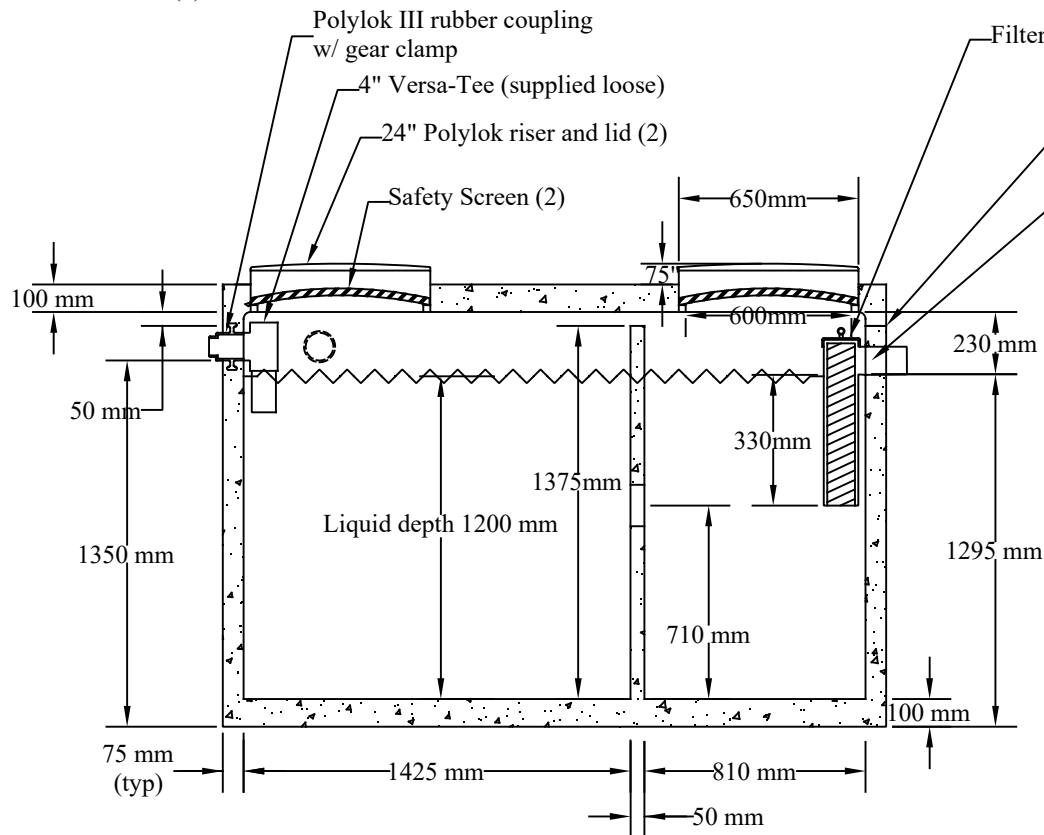
1. Concrete: 35 mpa Air 5-7%
  2. Weight: 4120 kg.
  3. Divider wall is monolithic cast.
  4. Maximum cover: 5 ft. (1.5 m)
  5. Actual working capacity 3950 l
  6. Litre per vert. meter = 3300
  7. For use in non-sulfate soils only.
  8. Tank is handled using external rigging
- Drawing Date: April 1, 2022

Acton Precast Concrete Limited  
Acton Ont. 1-800-461-1516

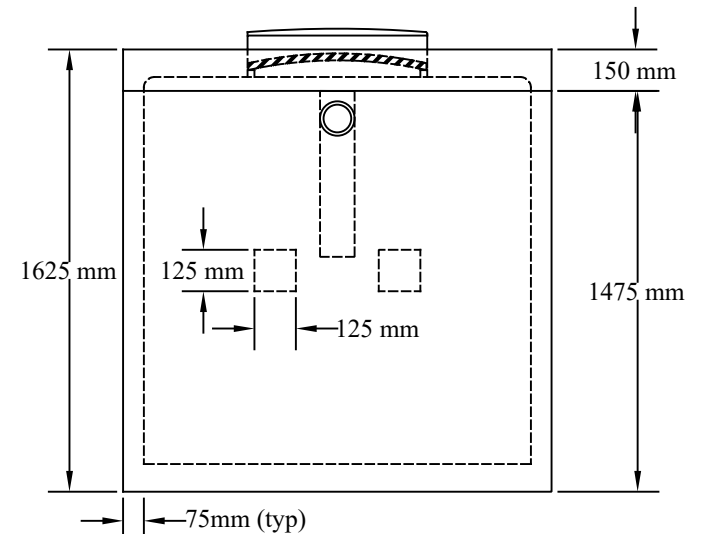


Top View

Alternate inlets (2)



Section



End View