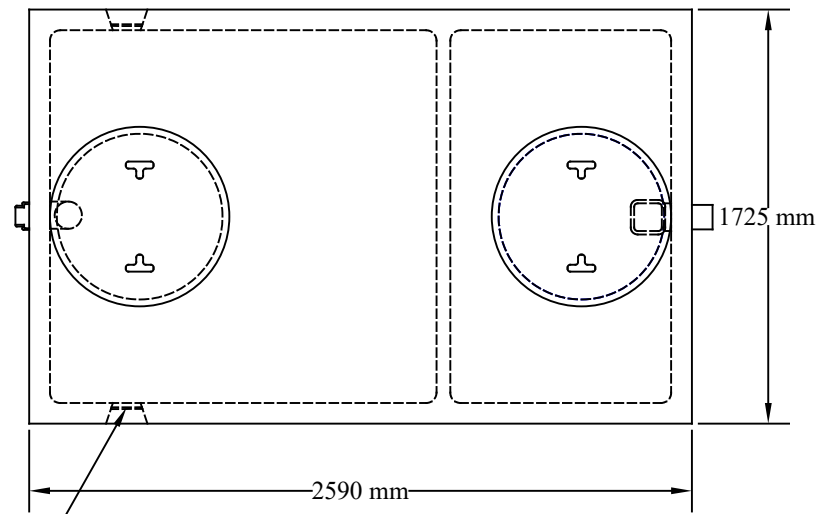


1000 Gal. (4500 L) Septic Tank

Notes:

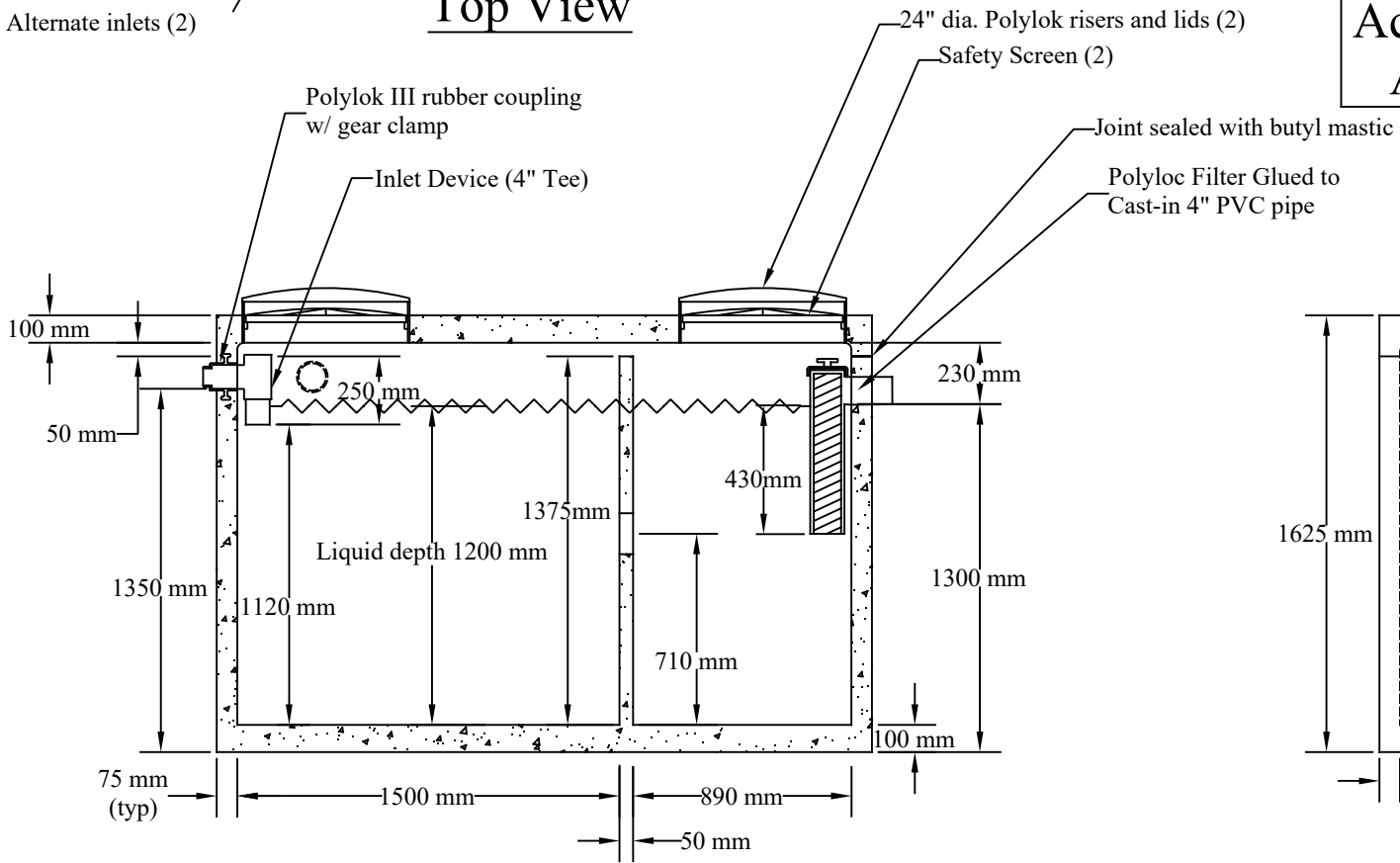
- 1. Concrete: 35 mpa Air 5-7%
 - 2. Approximate weight: 4630 kgs.
 - 3. Divider wall is monolithic cast.
 - 4. Maximum cover: 1.5 m
 - 5. Actual working capacity 4549 l
 - 6. Litre per vert. meter = 3850
 - 7. For use in non-sulfate soils only.
 - 8. Tank is lifted using external slings.
- Drawing Date: April 1 2022

Acton Precast Concrete Limited
Acton Ont. 1-800-461-1516

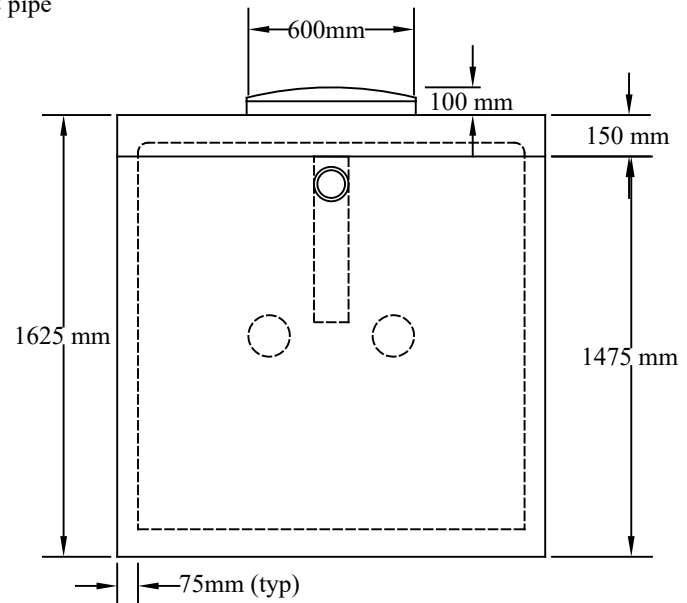


Top View

Alternate inlets (2)



Section



End View